

SD Card Mobile DVR

BIG
SALE

AM-S4H SERIES



Key features

- 4CH 720P video trail recording, 1CH 4-screen output, 1SD card storage
- Adopts embedded design, Linux system 3.0.x ensure the system stable and reliable
- Analog HD, H.264 encode, real time double stream record and remote monitoring
- The SIM card and SD card pre-positive, easy for mount, removal and maintenance
- Support mobile detection alarm, digital watermark on video and picture output
- Sleep mode, after flame-out, continual GPS locating, remote arousal available



Stability

- Aluminum frame easy to heat dissipation, fanless to avoid dust from the outside
- Double backup system, data protection, more stable and easier to control
- 8V to 36V power input wide voltage, special protection in automobile power system
- 6-60V instantaneous pulse power protection system for the MDVR
- 8 seconds delay for data protection and file damage when power-off suddenly

Extendable Features

- 8 I/O input available, record braking, reversing, turning and alarming, and more
- 2 I/O output available, enabling telltale lamp, tell-tale signal and remote control
- 1 CAN-BUS interface available, recording speed, rotational speed, acceleration, temperature, and fuel consumption
- 1 RS232 serial ports, 1 RS485 serial ports available and LED display, attendance machine, vehicle PTZ and more
- Connect the vehicle speaker to broadcast the station reporting, intercom interface connect to the control center
- Pulse sensor interface available, it can be used to obtain the real-time vehicle speed

Modular Features



Application:

Camera video surveillance for commercial vehicle:



Public Transit



School Bus



Cargo Truck



Sedan SUV

Please ensure that the product work in the appropriate environment, when you in trouble please contact us:



Contact Us



Stabilize Power



Temp Humidity



No Dismantle

Model

- A:** ZhongAnXin **M:** Mobile DVR
- S:** SD Card / HDD **4/8:** 4channel / 8channel
- H:** High Definition **D:** D1 Definition
- G:** GPS module
- W:** WCDMA 3G module **E:** EVDO 3G module
- L:** TD-LTE 4G module
- F:** WIFI module

Model and Function Table √:Enabled ×:Disable

Model List	HD	GPS	3G/4G	WiFi
AM-S4H	√	×	×	×
AM-S4H-G	√	√	×	×
AM-S4H-GW	√	√	WCDMA	×
AM-S4H-GE	√	√	EVDO	×
AM-S4H-GL	√	√	TD-LTE	×
AM-S4H-GWF	√	√	WCDMA	√
AM-S4H-GEF	√	√	EVDO	√
AM-S4H-GLF	√	√	TD-LTE	√

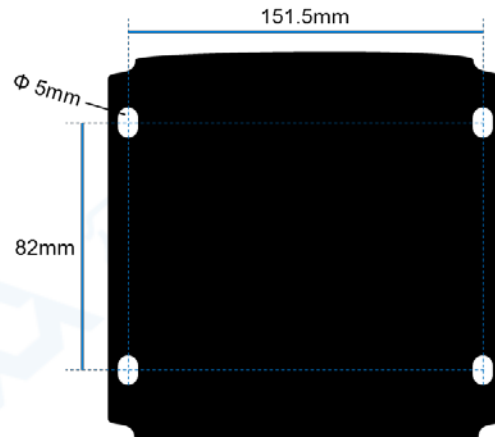
Product Size

Item	Parameter
Mainframe	(LxWxH) 152x160x48 mm
Install Hole	(LxW) 82x151.5 mm
Package	(LxWxH) 220x325x90 mm
Weight	1.45Kg
Total Package	16set (LxWxH) 470x680x400 mm
Total Weight	16set 23.20Kg

Mainframe Size



Installation Hole Size



Specification

Item	Parameter	Performance
Name	Module	AM-S4H series
Power	Power Input	DC+8V~+36V, Working 5 minutes out of the voltage
	Power Output	DC12V / 2A, Power for camera, Max 16W
	ACC (Car Keys Signal)	Car Keys On> 7.5V, Car Keys Off< 6V,
System	Operation Mode	Infrared remote control, Network control
	System Security	User password and administrator password, Hard-disk storehouse with key lock
	Standard Video Stream	ISO14496-10, Class 1~8, the image resolution from highest to lowest.
	Data Storage	128MB program Norflash, 2 SD Card slot, max 64GB each slot
Software	Analysis Software	Video playback and information of floating vehicles analysis at PC
	PC Management	Video preview, GPS information, alarm upload and command download
	Client Software	PC client management software
	Mobile Software	Apple & Android mobile phone management software
Video	Video Input	4Ch AHD(720P) / D1 / HD1 / CIF optional
	Video Output	1Ch CVBS
	Video Display	1Ch picture, 4Ch picture, MDVR parameter settings interface
	Signal Standard	Voltage:1.0Vp-p, Input / Output Impedance:75 Ω
	Video Standard	PAL Mode, NTSC Mode
	Code Rate of Video	CIF: 1536Kbps ~ 128Kbps HD1 : 2048Kbps ~ 380Kbps D1 : 2048Kbps ~ 400Kbps 720P: 4Mbps~1.5Mbps
	Video Compression	H.264 Main profile, 100 frame / sec
Audio	Audio I / O	4ch audio in, 1ch audio out, support 1ch audio amplifier output
	Signal Standard	Voltage:2.0Vp-p, Input / Output Impedance:4.7KΩ / 1.0 KΩ
	Audio Code	G726, Audio code rate 32Kbps / 40Kbps, voice and video synchronization
Alarm	Alarm Input	4Ch Alarm Input, Alarm for low level 0~4V, Alarm for high level > 4V
	Alarm Output	1Ch Alarm Output, output high voltage 12V
Storage	SD Card Slot	2 SD card slot , 64GB max / SD card slot, support main brand SD
COM.	Serial Port	1Ch RS485; 1Ch RS232
	CAN Port	1Ch CAN-BUS interface
	Ethernet Port	1Ch 10M/100M Ethernet
	Tack-Balk Port	By extending the interface connection intercom equipment
	Speed Port	Extending the pulse data of vehicle
Wireless	EVDO	EVDO module available, 3G CDMA2000
	WCDMA	WCDMA module available, 3G WCDMA
	TD-LTE	TD-SCDMA module available, 4G TD-LTE
	WIFI	WIFI 802.11a/c module available, 5th, 5GHz, 150Mbit/s
GPS	Built-in GPS	Frequency 1575.42MHz, Positioning precision: 3.0m
	China BD2	Frequency L1: 1575.42MHz, Frequency B1:1561.09MHz, Positioning precision: 2.5m
G-Sensor	6D G-Sensor	Build-in G-Sensor ±8g modules,
Environment	Temperature	-20~+80 centigrade in well ventilated situation
	Air Humidity	The situation < 95%